

AVK544

IVS 22X Speed Dome Camera

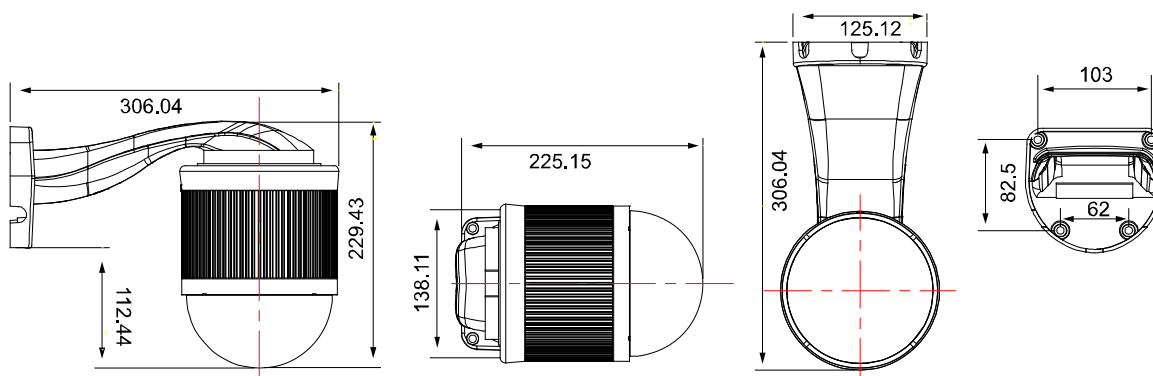
(w / Auto Tracking)



FEATURES

- **Supports DVR / Camera Communication System (DCCS) Technology**
 - There's no need to additionally connect RS485 control wires for camera control because the control signals can be transferred by coaxial cables directly when your DVR supports DCCS technology.
 - Camera installation is highly simplified to lower labor cost and working hours.
- **Advanced Auto Tracking Accuracy**
 - To follow the moving object
- **Smart Zoom**
 - To automatically zoom in the moving object & Auto-focus zoom lens
- **Rigid & High-Speed Pan / Tilt Mechanism with Two-Million Rotation Test Passed**
 - for longer operating lifetime
- **Pelco-D & Pelco-P Support**
 - For fully compatibility
- **Flexible Color / Shutter Parameters Adjustment**
 - To adapt to various light conditions
- Hot Point
- Graphical On-Screen Display
- Easy Operation via Keyboard Controller
- IP66, suitable for outdoor use
- Up to 256 preset points & eight preset groups, and Auto Scan

DIMENSIONS



SPECIFICATIONS

	AVK544
■ GENERAL	
Signal System	NTSC or PAL
Pick-up Element	1/4" Sony Color Super HAD CCD image sensor
Number of Pixels	768(H)*494(V)<NTSC> / 752(H)*582(V)<PAL>
Resolution	480TV lines
Min. Illumination	0.6 Lux / F1.6
S/N Ratio	More than 48dB (AGC off)
Video Output	1.0 Vp-p. 75Ω
BLC	On / Off
Gain Control	Low, Medium & High / Off
Sharpness	Auto / Low / Medium / High
White Balance	Auto / Indoor 1 / Indoor 2 / Sun / Cloudy * Indoor1 = 9000K; Indoor2 = 3000K; Sun = 5500K; Cloudy = 7000K
Camera Title	10 characters or symbols
Preset Points and Sequence	Total 8 groups, 256 programmable preset points * The sequence of all the preset points will follow the order of the minimal panning route.
Auto Tracking	Yes (combined with auto zoom focus tracking & smart zoom)
Baud Rate	9600
■ LENS	
Focal Length	f3.9 ~ 85.9mm
F-number	F1.6 (Wide) ~ 3.7 (Tele)
Viewing Angle	4° ~ 60°
Auto Electronic Shutter	1 / 60 (1/50) to 1 / 100,000 sec.
Auto Focus	Always / PTZ / Z Only / P Only
■ MECHANISM	
Pan Range	360°
Pan Speed	360° / 1 sec * The pan speed can be adjusted according to the different pan speed mode.
Tilt Range	90°
Tilt Speed	0° ~ 90° under 1 sec
Zoom Ratio	22X optical zoom
Zoom Speed	Approx. 7s (Tele ~ Wide)
■ OTHERS	
IP Rating	IP66
Ambient Operating Temperature	-10° ~40°
Power Source (±10%)	DC12V
Current Consumption	1.5A (max)
Dimensions (mm)**	145(Ø) x 184(H) (bracket not included)
Gross Weight (kg)	Approx. 1.2kg
Optional Bracket	Wall-mounted
Optional Device	Keyboard controller

* Specifications are subject to change without notice.

** Dimensional Tolerance: ± 5mm