

Lens : optional



EQUIPPED WITH AN F1.4 LENS, THESE ULTRA-SENSITIVE CAMERAS FOR 24-HOUR SURVEILLANCE DELIVER CLEAR IMAGES IN LIGHT AS LOW AS 0.01 LUX*

*In B/W mode

The new WV-CL920A Series combines a near-infrared CCD with a new digital signal processor (DSP). Switching automatically from colour mode during the day to B/W mode at night, these cameras are ideal for 24-hour surveillance. When equipped with an F1.4 lens, they deliver clear images in light as low as 0.14 lux in colour mode and as low as 0.01 lux in B/W mode. With electronic enhancement, sensitivity is up to 32 times greater than that of standard cameras. When combined with a near-infrared light source, these cameras can also be used for near-infrared (B/W) surveillance in settings with no visible light.

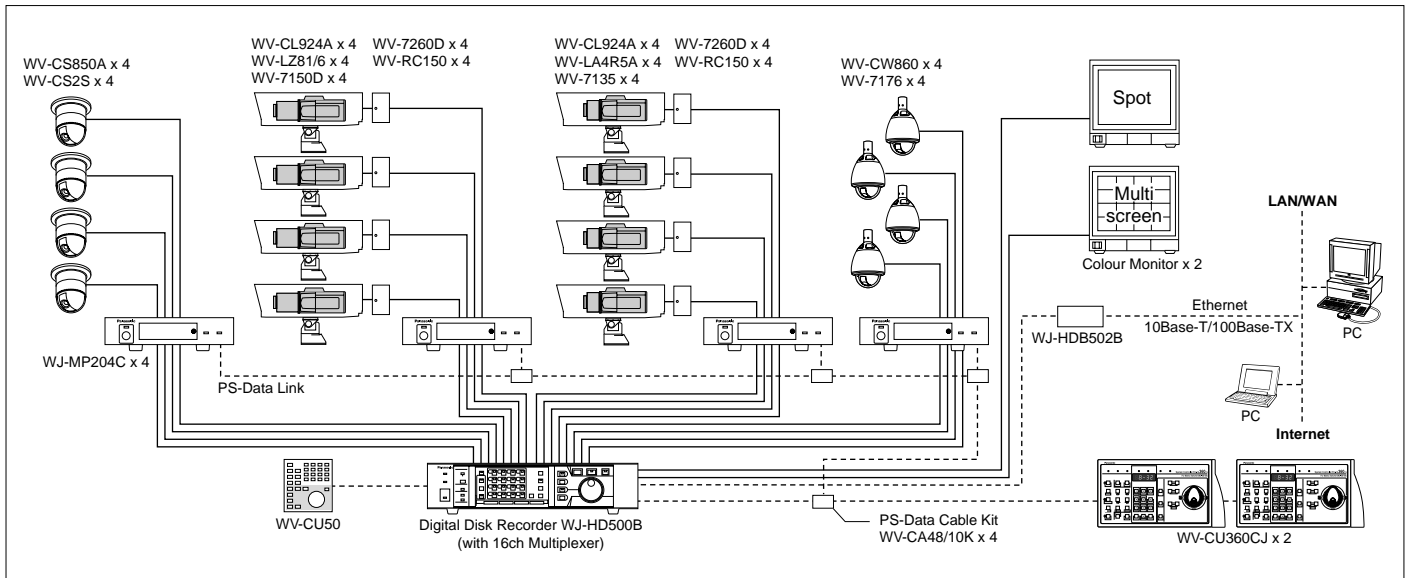
Horizontal resolution is 480 lines in colour mode, 570 lines in black and white. Many advanced features are included in the WV-CL920A Series, a high-speed electronic shutter, character display, and an easy to connect alarm output terminal for use with remote sensors or other surveillance equipment.

The WV-CL920A Series is ideal for street, highway, parking lot, harbor, building exterior, and other applications that require ultra-sensitive 24-hour surveillance.

KEY FEATURES

- 1/2-type interline transfer CCD w/infrared sensitivity.
- Switches from selected colour mode to B/W mode, automatically or manually.
- Super sensitivity of 0.14 lux at F1.4 in colour mode, and 0.01 lux in B/W mode.
- 480-line horizontal resolution in colour mode, and 570-line in B/W mode.
- ELC function enables the use of fixed iris lens for indoor applications.
- Built-in digital motion detector.
- Built-in Alarm output terminal for external sensors.
- Built-in 16 alphanumeric character display.
- Electronic shutter from 1/50 (off) to 1/10,000 seconds.
- Electronic sensitivity enhancement (Auto/Manual/Off)
- Remote control function with single coaxial cable (WV-CL920A/CL924A) or RS-485 terminal (WV-CLR920A/CLR924A).
- Gen-lock capability for the large system application.
- Accepts both AC 24V & DC 12V for WV-CL924A/CLR924A camera models.
- WV-CL920A Series are,
 - WV-CL920A (AC220V - 240V)
 - WV-CL924A (AC24V or DC 12V)
 - WV-CLR920A (AC220V - 240V, with RS-485 terminal)
 - WV-CLR924A (AC24V or DC 12V, with RS-485 terminal)

SYSTEM EXAMPLE

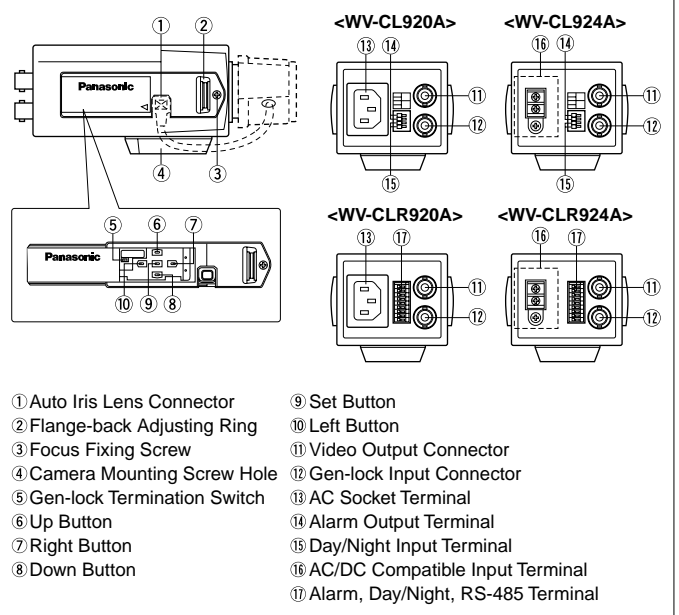


SPECIFICATIONS

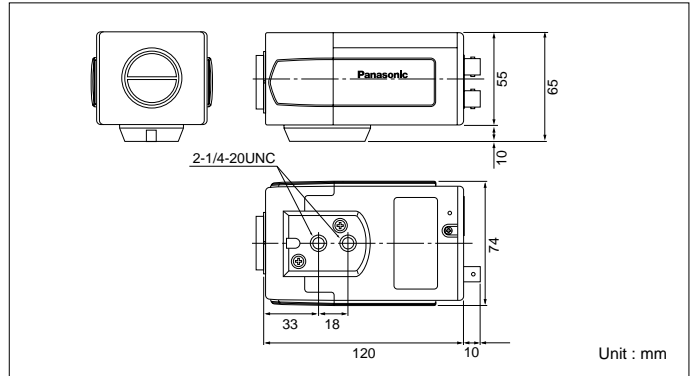
PAL CCIR

Model No.	WV-CL920A	WV-CL924A	WV-CLR920A	WV-CLR924A
Pick-up Device	762 (H) x 582 (V) Pixels, Interline Transfer CCD			
Scanning Area	6.45 (H) x 4.84 (V) mm (Equivalent to 1/2" Tube)			
Scanning	625 lines / 50 fields / 25 frames Horizontal 15.625 kHz / Vertical 50 Hz			
Scanning System	2:1 Interlace			
Synchronization	Internal, Line-locked, External (VBS/VS), or Multiplexed VD2 Selectable			
Video Output	1.0V[p-p] PAL or CCIR Composite / 75 Ω / BNC Connector			
Horizontal Resolution	480-line at Colour Imaging, or 570-line at B/W mode			
Minimum Illumination	0.14 lux at F1.4 (at Colour mode), or 0.01 lux at F1.4 (at B/W)			
S/N Ratio	50dB at AGC off			
Character Display	16 Alphanumeric characters			
Motion Detector	On/Off selectable			
Electronic Light Control	Equivalent to continuous variable shutter speed between 1/50s to 1/10,000s			
Electronic Sensitivity Up	Off, Auto (x2, x4, x6, x10, x16, x32), Fixed (x2, x4, x6, x10, x16, x32, x64)			
White Balance	ATW1, ATW2, AWC selectable (setup menu)			
Aperture	Variable (setup menu)			
Gain Control	AGC On/Off selectable (setup menu)			
AGC	ON (DNR-H), ON (DNR-M), ON (DNR-L) or OFF selectable (setup menu)			
Backlight Compensation	Preset ON or OFF selectable (setup menu)			
Electronic Shutter Speed	1/50 (OFF), 1/120, 1/250, 1/500, 1/1,000, 1/2,000, 1/4,000, 1/10,000 s selectable			
Lens Mount	CS-mount			
Alarm Out	Collector-output OFF (Open or 4V DC - 5V DC) / ON (≤ 1V 50mA)			
Day/Night In	Pulled-up to 5V DC OFF (Open) / ON (0V 0.2mA)			
ALC Lens	DC / Video Servo selectable (setup menu)			
Communication	Single wire		RS-485	
Communication Distance	1.2km by BELDEN 9259 or equivalent		1.2km by Twisted pairs cable	
Ambient Operating Temperature	-10°C - +50°C			
Ambient Operating Humidity	Less than 90%			
Power Source	220V-240V AC, 50Hz		AC24V / DC12V	
Power Consumption	5.1W		4.7W / 440mA	
Dimensions (W x H x D)	74 x 65 x 120mm			
Weight (approx.)	450g (without AC cable)		440g	

MAJOR OPERATING CONTROLS



APPEARANCE



Wide variety of optional 1/2-type lenses for suit the any applications

Auto Iris Lenses WV-LA4R5A WV-LA6A WV-LA12A WV-LA18 WV-LA36	Manual Iris Lens WV-LM4R5A	Fixed Iris Lenses WV-LF6 WV-LF12
Zoom Lens WV-LZ81/6	Variable Focal Lens WV-LZ80/2	Pinhole ALC Lens WV-LP6

• Weights and dimensions are approximate. • Specifications are subject to change without notice. • These products may be subject to export control regulations.

DISTRIBUTED BY:

Panasonic

Panasonic is the brandname of Matsushita Electric.
Printed in Japan
WV-JKCL920T(2N-676E)